

CMS-R-CXC-SC (ORDER NO. 103967)

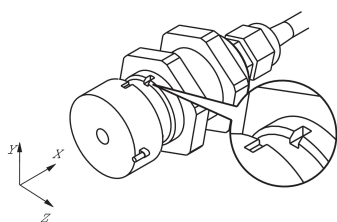
Read heads CMS design C - with NC/NO contacts, M8

- ▶ In combination with evaluation units CMS-E-BR/CMS-E-ER/CMS-E-FR
- ▶ Cylindrical version M25
- ▶ Plug connector M8



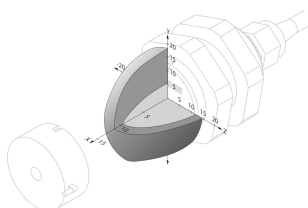
Description

Alignment of read head and actuator



Figure

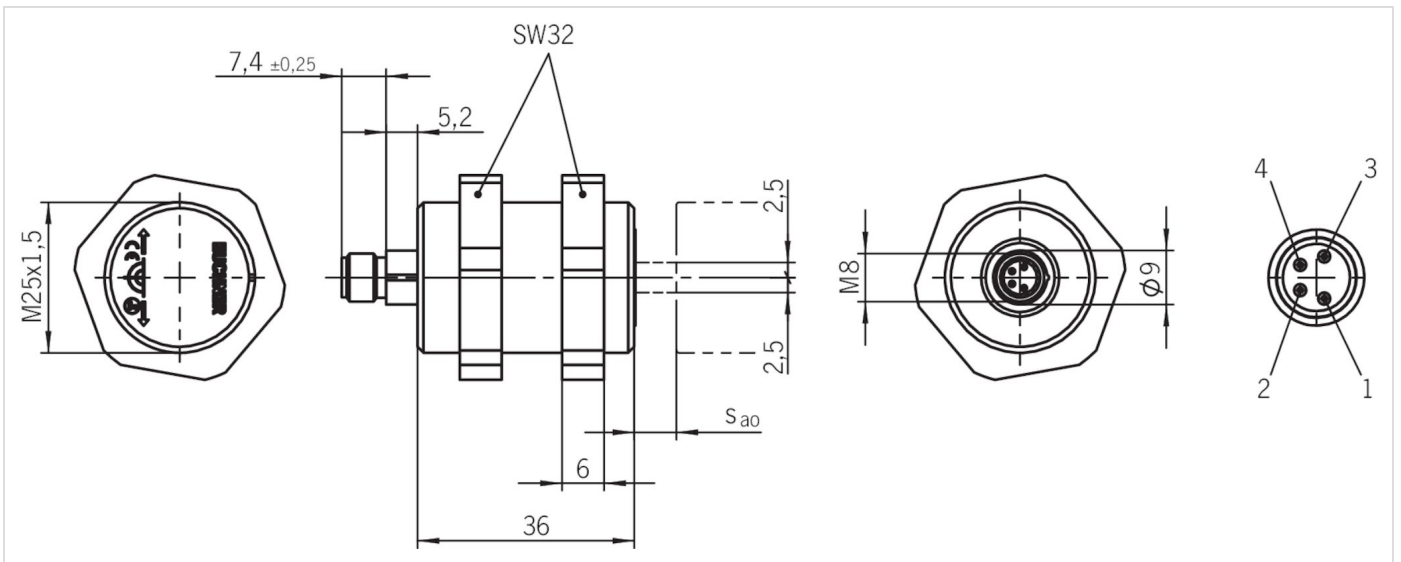
Operating diagrams, design C



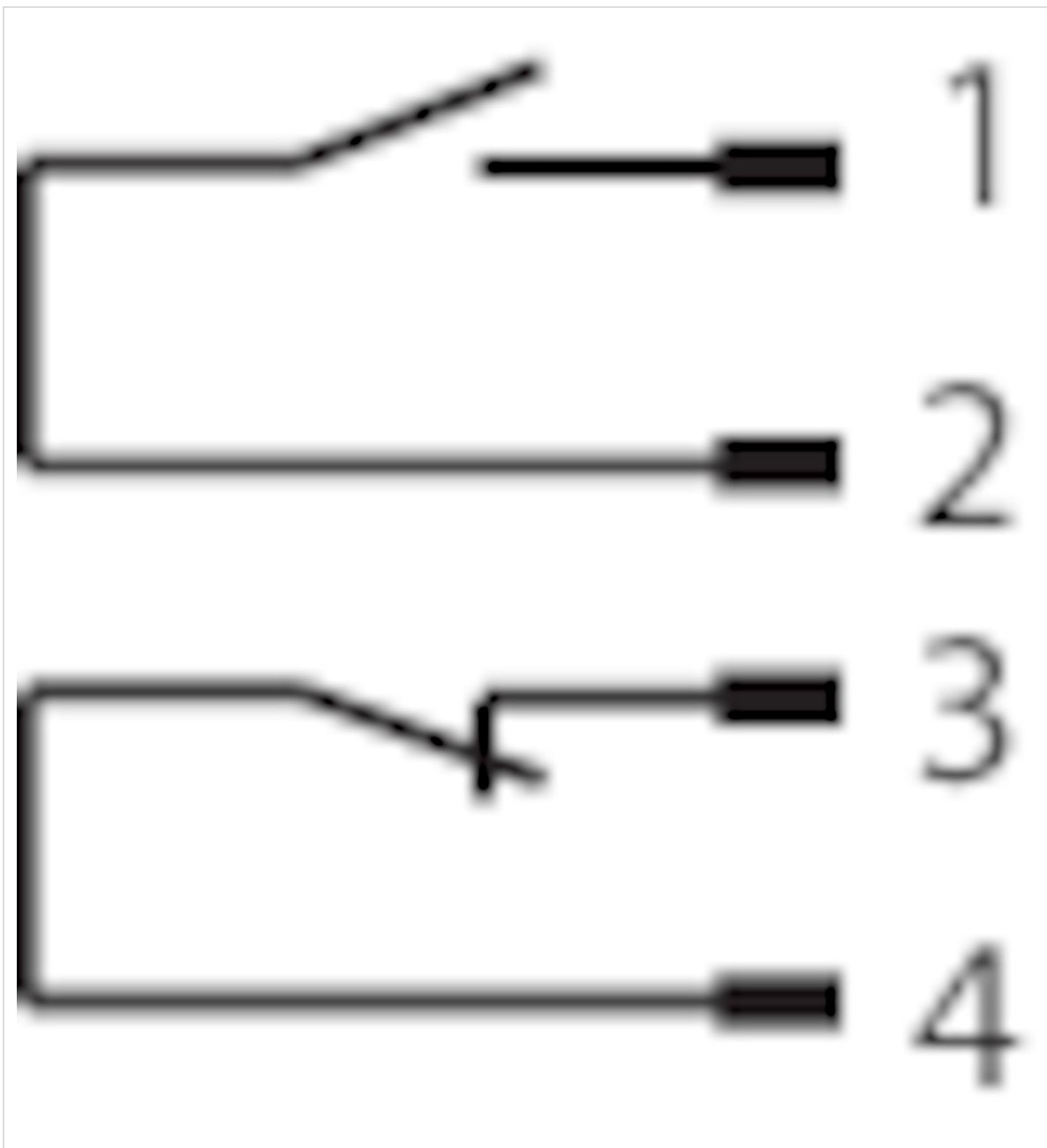
CMS-R-CXC

- ▶ Typ. operating distance
- ▶ Typ. release distance

Dimension drawing



CMS-R-CXC...



Technical data

Approvals



Mechanical values and environment

Shock and vibration resistance	In acc. with EN 60947-5-3
Design	C
Housing material	
	Housing Fiber glass reinforced PPS
Weight	
	Net 0,026 kg
Ambient temperature	-20 ... 60 °C
Degree of protection	IP67
Mechanical life	100 x 10 ⁶
Installation orientation	Any, pay attention to marking (During mounting it is to be ensured the marking arrows on actuator and read head are opposite each other.)
Tightening torque	0,4 ... 0,5 Nm
Number of NC contacts	1 NC contact
Number of NO contacts	1 NO contact
Connection	4-pin M8 plug connector
Method of operation	Magnetic, reed contact

Electrical connection ratings

Rated insulation voltage U_i	26,4 V
Rated impulse withstand voltage U_{imp}	1,5 kV
Switching voltage	24 V
Switching current	8 ... 500 mA
Switching characteristics	NO + NC
Switching voltage according to UL	
	According to UL Class 2 max.24 V AC/DC

Work area

Repeat accuracy R	max.10 %
Assured release distance S_{ar}	max.14 mm (The assured switch-off distance s_{ar} corresponds to the reset distance.)
Assured operating distance S_{ao}	
	With center offset $m=0$ min.6 mm (Figure only applies if there is no ferromagnetic material in the vicinity of the read head and the actuator.)

Other

In compliance with	EN ISO 13849-1:2015; EN 50178:1997; EN 60204-1:2006/A1:2009; EN ISO 14119:2013; EN 61000-6-2:2005; EN 61000-6-3:2007/A1:2011; EN 60947-5-3:2013
--------------------	---

Accessories

Actuator

Actuator CMS design C



084577
CMS-M-CA

- ▶ Cylindrical version M25

Connection material

Connection cable with plug connector M8, 4-pin, 2m



088812
C-M08F04-04X025PV02,0-ES-088812

- ▶ M8 female plug, 4-pin
- ▶ Straight plug connector
- ▶ PVC cable
- ▶ Cable length 2 m
- ▶ With flying lead

Connection cable with plug connector M8, 4-pin, 5m



088813
C-M08F04-04X025PV05,0-ES-088813

- ▶ M8 female plug, 4-pin
- ▶ Straight plug connector
- ▶ PVC cable
- ▶ Cable length 5 m
- ▶ With flying lead

Connection cable with plug connector M8, 4-pin, 10m



088814
C-M08F04-04X025PV10,0-ES-088814

- ▶ M8 female plug, 4-pin
- ▶ Straight plug connector
- ▶ PVC cable
- ▶ Cable length 10 m
- ▶ With flying lead

Contacts

🏠 EUCHNER GmbH + Co. KG
Kohlhammerstraße 16
70771 Leinfelden-Echterdingen

📞 +49 711 7597-0

📠 +49 711 753316

✉ info(at)euchner.de